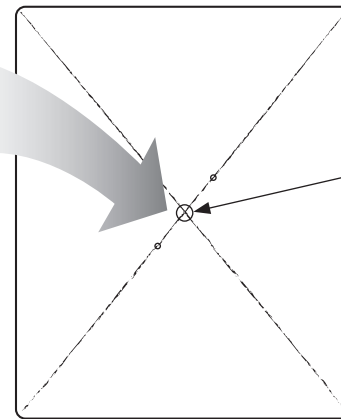
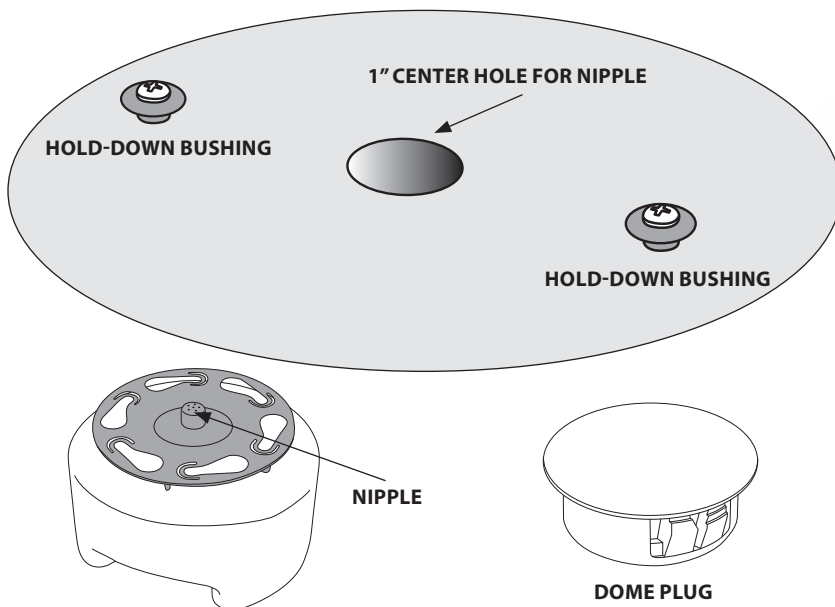
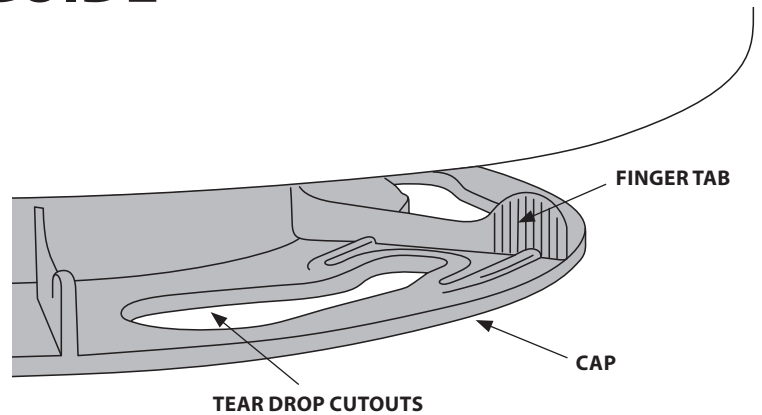
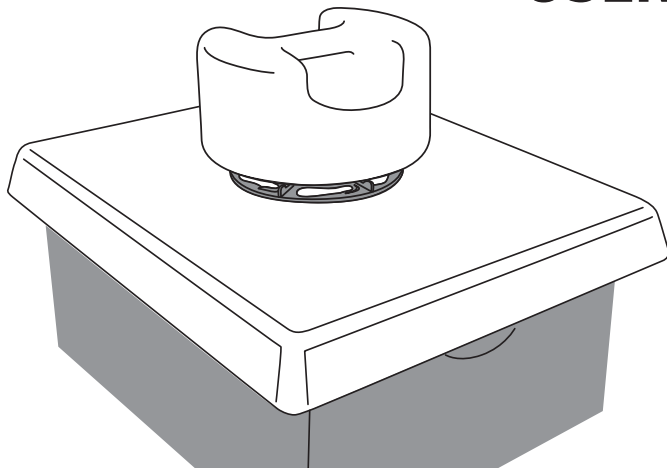


Ultimate Hive-Top Feeder USER GUIDE



TO FIND CENTER OF COVER WHEN USING A NON-BEE SMART DESIGNS[®] COVER, DRAW DIAGONAL LINES FROM CORNER TO CORNER. WHERE LINES INTERSECT IS THE CENTER OF THE COVER.

TO FILL TANK

- Place **TANK, HANDLE** down, on flat surface.
- Remove **CAP** and pour in 1 gallon of syrup.
- TANK MUST BE FILLED TO TOP TO PREVENT EXCESSIVE DRIPPING. NEVER FILL TANK PART WAY.**
- Screw on **CAP** firmly. DO NOT over tighten.
- Store **TANK** with nipple facing up.
- TANK** can be held by side grips.

PREPARING COVER

- Determine center of cover. Best way is to draw lines from corner to corner. The center is where the lines intersect. See illustration.
- Mark center hole position and positions for **2 HOLD DOWN BUSHINGS** on opposite sides of center hole using template on back of this User Guide. If using **BEE SMART ULTIMATE HIVE COVER** these guides are molded into the cover.
- If using an inner cover make sure the 1" hole lines up with the hole in the inner cover to allow easy access for bees.
- Drill 1" hole in center of cover. If using **BEE SMART DESIGNS ULTIMATE HIVE COVER** use center guide, otherwise use template on back of User Guide.
- Break off the 3 **HOLD DOWN BUSHINGS** from Cap. The third bushing is a spare. Install 2 **HOLD DOWN BUSHINGS** on cover on opposite sides of center hole using self-tapping stainless screws provided.

- If using **BEE SMART DESIGNS ULTIMATE HIVE COVER** use dimpled screw starts; otherwise use template on back of User Guide making sure to properly align center hole.
- If using a cover with an existing hole make sure to center the template before marking and installing the **HOLD DOWN BUSHINGS**.

INSTALLING FEEDER

- Turn **TANK** into feeding position with **NIPPLE** down and handle facing up. Some liquid may drip from **TANK** until a vacuum is formed.
- Place **TANK** on cover holding handle with **NIPPLE** in center hole and line **TEAR-DROP CUT-OUTS** in the **CAP** over the **HOLD DOWN BUSHINGS**.
- Twist **TANK** clockwise to engage cap spring tab under **FLANGED BUSHINGS**.

REMOVING FEEDER

- Hold handle and twist **TANK** counter-clockwise to disengage cap spring tab from under **HOLD-DOWN BUSHINGS**. Do not force as this may loosen cap on tank.
- If tank sticks use **FINGER TABS** to rotate and then lift handle.
- Lift tank by handle and turn upside down with **NIPPLE** facing up, using side grips to hold.
- If not replacing feeder install **DOME PLUG** to seal hole.

