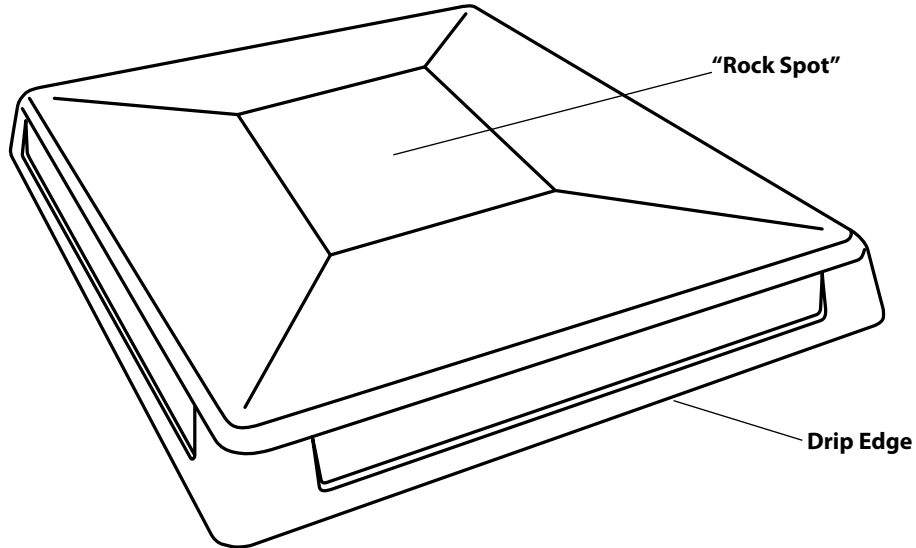


Bee Smart[®]

D E S I G N S

The Ultimate Hive Cover



- Place **Ultimate Hive Cover** on top of 10-frame hive.
- Place small rock, 1-2 lbs., on center of **Ultimate Hive Cover** or strap lightly to hive.
- **Ultimate Hive Cover** can be used with or without an inner cover, including screened inner covers.
- Slide **Ultimate Hive Cover** forward or back to expose or block inner cover vent.
- **Ultimate Hive Cover** requires no painting or assembly. Clean with mild detergent or spray cleaner.
- **Ultimate Hive Cover** can be turned upside-down to support hive body on top edges.
- **Ultimate Hive Cover** can be turned upside-down to hold honey supers inside.

- Drip edge keeps water away so hive components stay drier and last longer.
- Passive ventilation design reduces moisture for healthier bees and increased honey production while preventing robbing from the top.
- Double wall design helps insulate to keep hive warmer in the winter and cooler in the summer.

- Combine your **Ultimate Hive Cover** with our **Ultimate Hive Stand** to create an **Ultimate Hive Garden** that looks great in any garden, yard or apiary.

SAFETY HINTS

- Always use a small rock or lightly strap cover to hive to prevent cover from blowing off in high winds.
- Cover is designed to support 1 brood box or honey super when turned upside down. Do not overload.

Manufactured by **Bee Smart Designs, Inc.** 195 Atlantic Avenue, Garden City Park, NY 11040 USA
www.beesmartdesigns.com